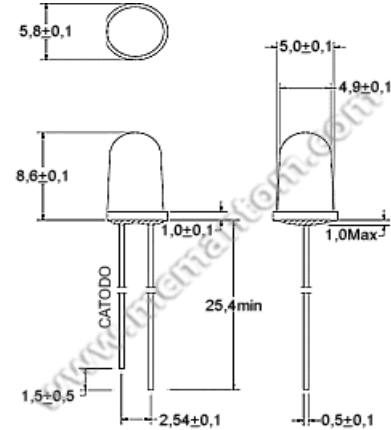


LED ULTRABRIGHT 5mm
■ CARATTERISTICHE GENERALI □ White □ WhiteWarm □ Blue □ Green □ Red □ Yellow

- emissione a colore singolo
- alta luminosità
- basso consumo di potenza
- elevata affidabilità e lunga vita operativa

■ DESCRIZIONE

- formato rotondo Ø 5mm
- tipo di lente water clear
- componente lead free

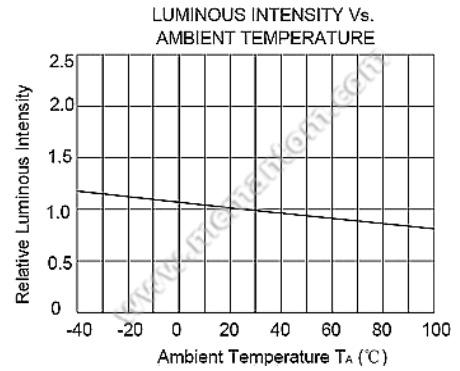
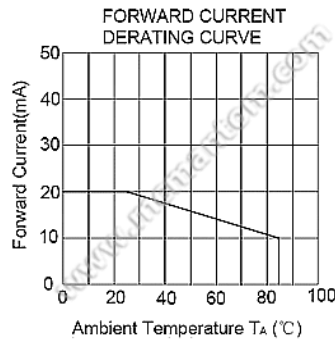
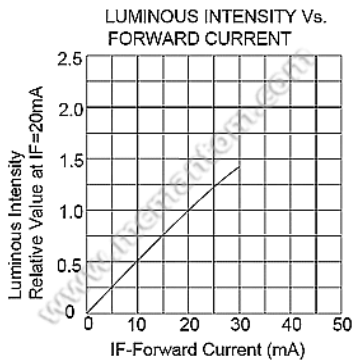
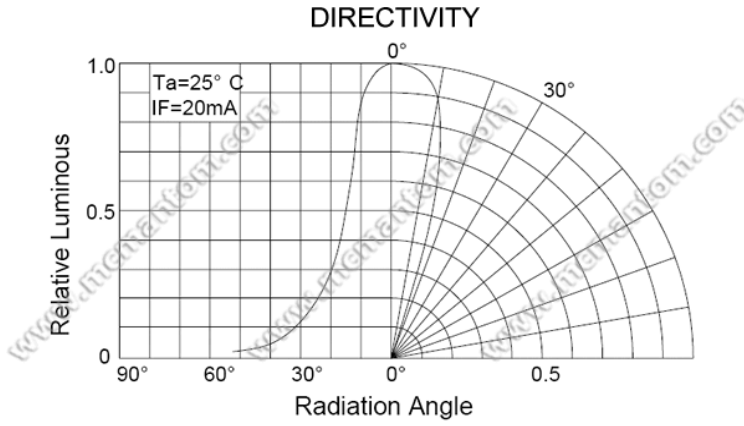


1) Tutte le dimensioni sono in millimetri

2) Tolleranza +/-0,25mm se non diversamente indicato

PARAMETRO	COLORE	SIMBOLO	CONDIZIONE TEST	VALORE		UNITÀ
				min.	Max.	
Reverse Voltage	All	VR	IR = 30µA	5	---	V
Forward Current	All	IF	---	---	25	mA
Power Dissipation	□ □ □ □	PD	---	---	108	mW
Power Dissipation	□ □	PD	---	---	75	mW
Pulse Current	All	I _{peak}	Duty=0.1mS - 1KHz	---	100	mA
Operating Temperature	All	T _{opr}	---	-40	+85	°C
Storage Temperature	All	T _{str}	---	-45	+100	°C
Forward Voltage	□ □ □ □	VF	IF = 20mA	3.0	3.2	V
Forward Voltage	□ □	VF	IF = 20mA	1.8	2.0	V
Reverse Current	All	IR	VR = 5V	---	30	µA
Luminous Intensity	□	IV	IF = 20mA	8000	10000	mcd
Luminous Intensity	□	IV	IF = 20mA	8000	10000	mcd
Luminous Intensity	□	IV	IF = 20mA	4000	6000	mcd
Luminous Intensity	□	IV	IF = 20mA	8000	10000	mcd
Luminous Intensity	□	IV	IF = 20mA	6000	8000	mcd
Luminous Intensity	□	IV	IF = 20mA	3000	6000	mcd
Correlate Color Temperature	□	CCT	IF = 20mA	6000	10000	K
Correlate Color Temperature	□	CCT	IF = 20mA	2500	3500	K
Dominate Wavelength	□	λ _d	IF = 20mA	460	475	nm
Dominate Wavelength	□	λ _d	IF = 20mA	521	530	nm
Dominate Wavelength	□	λ _d	IF = 20mA	588	594	nm
Dominate Wavelength	□	λ _d	IF = 20mA	618	627	nm
Viewing Angle	All	2θ _{1/2}	IF = 20mA	25	30	Deg.

LED ULTRABRIGHT 5mm



White
 WhiteWarm
 Blue
 Green

Red
 Yellow

